

# INSTALLATION INSTRUCTION FOR P1283-L

**WARNING! SHUT POWER OFF AT FUSE OR CIRCUIT BREAKER .**  
**AVERTISSEMENT! COUPER LE COURANT AU NIVEAU DES FUSIBLES OU DU DISJONCTEUR.**

READ AND SAVE THESE INSTRUCTIONS

## PREPATION

1. Shut off the power at the fuse box or circuit breaker box and, if necessary, remove the old fixture, including mounting hardware.
2. Carefully unpack your new fixture and lay out all the parts on a clear area. Take care not to lose any parts necessary for installation.
3. Shut off the power at the fuse box or circuit breaker.

## ASSEMBLING THE FIXTURE(Fig.1)

4. Determine desired hanging height and thread rods (G, H, I, J) to coupling (K). Then thread swivel (F) of canopy (D) onto rod (G). Pass wires carefully through each rod, swivel (F) and canopy (D).

## MOUNTING THE FIXTURE (Fig.1)

5. Thread two mounting screws (C) (Size: #8-32\*1.2"L) into crossbar (A) spaced same distance apart as holes in canopy (D). Length of mounting screws (C) into crossbar (A) may be adjusted if necessary. Attach crossbar (A) to junction box (Not included) using junction box screws (B) (Size: #8-32\*0.6"). The side of crossbar (A) marked "GND" must face out.

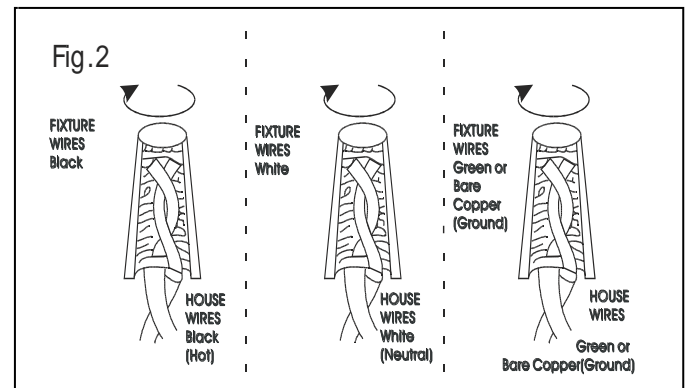
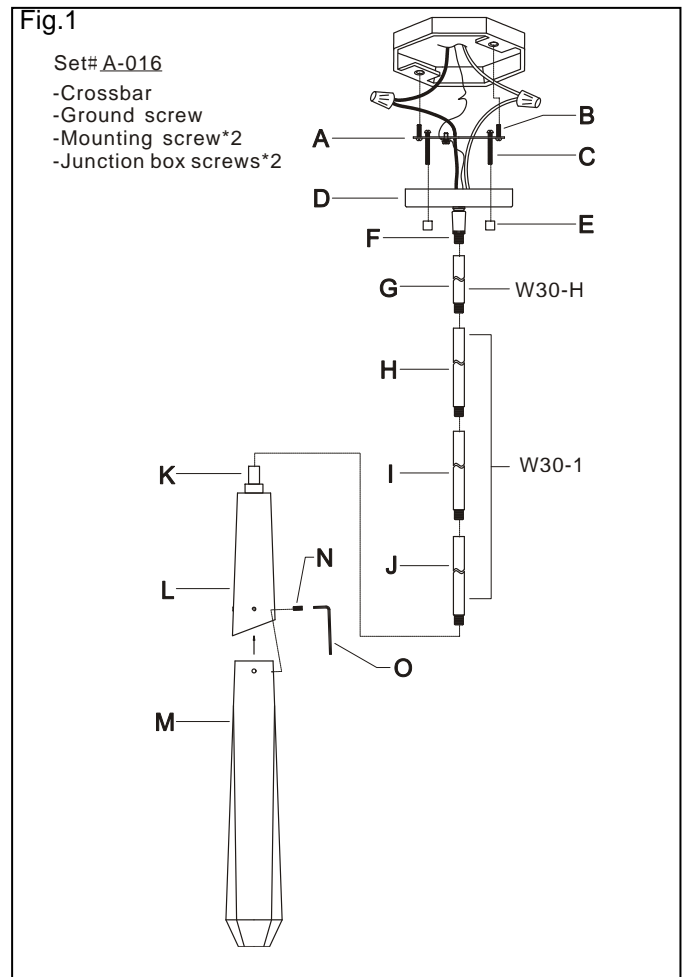
## CONNECTING THE WIRES (Fig.2)

6. Connect the electrical wires as shown in Fig.2, making sure that all wire connectors are secured. If your junction box has a ground wire (green or bare copper), connect ground wires to it. Otherwise, connect ground wire directly to crossbar (A) using green screw provided.
7. After wires are connected, tuck them neatly inside junction box.

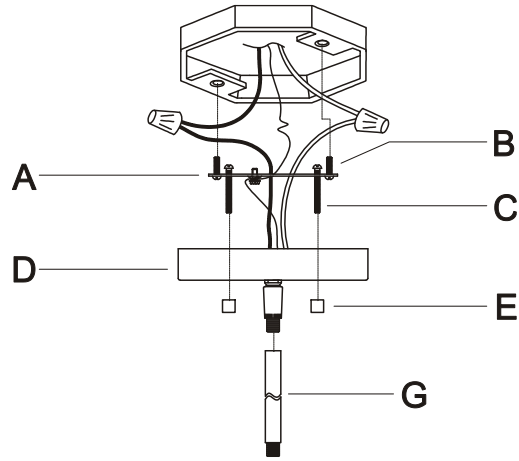
## COMPLETING THE INSTALLATION (Fig. 1)

8. Slide canopy (D) over mounting screws (C) and secure with cap nuts (E).
9. Install crystal glass (M) into light cup (L), and secure with screws (N) using wrench (O) (Provided).

Your installation is now complete. Return power to the junction box and test the fixture.

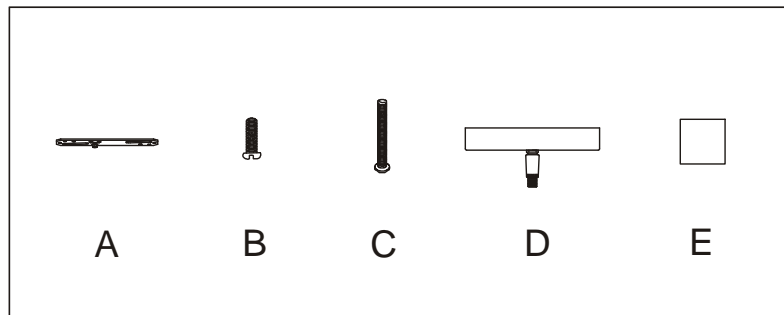


Dimmable with ELV and/or LED compatible wall dimmer switches.



**a. Hardware Bag:**

- A. Crossbar \*1
- B. Junction Box Screws \*2
- C. Mounting Screws \*2
- D. Canopy \*1
- E. Cap Nuts \*2



**b. Hardware Bag:**

- H, I, J. Rod 12" \*3
- G Rod 6" \*1

